

DOSING AND MIXING

MIXER MODULE

MB/MC/Uni



ZERO LOSS

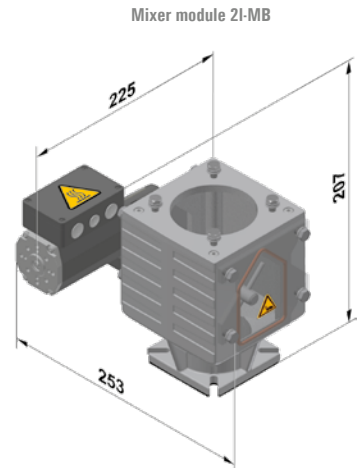
MIXER MODULE 2L MB/MC/Uni

For many dosing applications, it is necessary to homogeneously mix different materials of varying bulk densities and flow characteristics. The mixer module 2l is designed for mounting under a dosing unit, where it will mechanically mix, for example a powder additive with virgin material. Further possible uses: Homogenous mixing of virgin material and regrind or with masterbatch or additives. motan has 3 versions available:

Mixer module 2l-MB

As an extension for the MINIBLEND V additive dosing unit

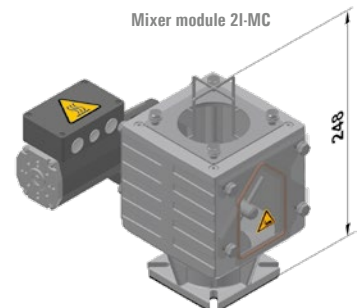
The mixer module 2l-MB can be easily installed under the MINIBLEND V additive dosing unit to typically mix non-free-flowing powders with virgin material.



Mixer module 2l-MC

As an extension for the MINICOLOR V and MINICOLOR G additive dosing units

The mixer module 2l-MC is installed directly under the MINICOLOR V or MINICOLOR G using a mounting flange and additional finger guard. A typical application is the dosing of virgin material with non-free-flowing regrinds.

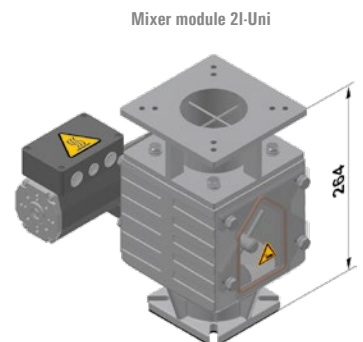


Mixer module 2l-Uni

The mechanical mixer for universal applications and third-party products

With the mixer module 2l-Uni many other combinations are possible. For example, the module can be supplied with material loaders, proportioning valves or smaller drying bins with a material temperature up to max. 80 ° C.

There is also the option to install a hose connection above and below the mixer module.



VOLU MC - Control for MB/MC/Uni

Cost-effective solution for controlling the mixer module

Modern microprocessor control with timer function and simple operation for all mixer modules 2l.

Technical data			
Type	Mixer module 2l-MB	Mixer module 2l-MC	Mixer module 2l-Uni
Weight (without control) (kg)	8		
Max. installation weight (kg)	150		
Permitted attachments / connections	MINIBLEND V	MINICOLOR V	Hose connections (Ø 60 mm), various attachments
Rated voltage (V/DC)	24		
Rated output (W)	65		
External contact	24 V/DC brushed on mixer motor		
Colour - RAL	7040		

All dimensions in mm.
Subject to technical changes.

To find your local partner, please visit our website.

