

DOSING AND MIXING

MINIBLEND V

Volumetric additive dosing unit



ZERO LOSS

MINIBLEND V

VOLUMETRIC ADDITIVE DOSING UNIT

The demand for excellent mixing quality and consistently accurate dosing is a must when combining additives to the virgin material at the processing machine.

The volumetric MINIBLEND V dosing and mixing unit meets and exceeds these requirements. Mounted at the feed throat of the plastics processing machine, the unit requires very little space. Disc dosing is ideal for translucent and opaque parts as well as for dosing very small quantities.

Vertical additive dosing

The Y shaped mixing neck allows the main additive to fall vertically into the feed throat of the processing machine, eliminating material hang-up or bridging. The main material is kept separate from the additive until they meet just above the throat of the processing machine. They then flow together, resulting in a homogeneous mix with no material separation.

Dosing motor

The dosing motor can be removed easily. The motor is brushless and has an integrated motor management which makes it maintenance free.

Synchronous dosing

Synchronous dosing provides excellent recipe accuracy and reproducibility which can be traced at any time.

Dosing of non-free-flowing powders

A dosing module equipped with a powder dosing disc, allows you to dose non-free-flowing powders. The compact, modular design gives you the flexibility to meet your changing process requirements. The agitator above the dosing disc constantly keeps material in motion, thus eliminating bridging and maintaining consistent disc fill.

Disc dosing

The dosing disc with the MINIBLEND V gives you real volume dosing which guarantees very high dosing accuracy – even for very small dosing quantities. The discs are available in eight different sizes (wear-resistant design optional).





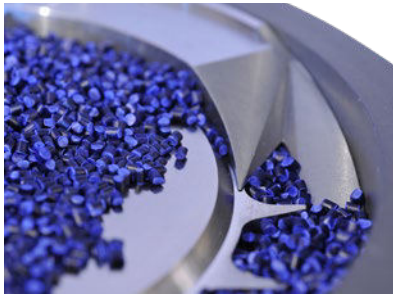
Mixing neck in electro-polished stainless steel

The Y shaped mixing necks (single or double) are available in electro-polished stainless steel. They have a smoother surface, which is a benefit particularly for powders and dusty materials.



Mixer module (Option)

For many dosing applications, it is necessary to homogeneously mix different materials of varying bulk densities and flow characteristics.



Granule cutter

When dosing very small throughputs a single granule of material can have a big impact on accuracy. In order to alleviate this problem, all dosing discs are fitted with a cutter which ensures that the dosing chamber is always uniformly filled.

Quick material changeovers

Cleaning and material changeovers are fast and require no tools. The quick-change system, consisting of a removable supply hopper and dosing disc, makes the unit easy to clean and saves you valuable time. The complete dosing module can be used as a colour cassette, allowing you fast colour changes without any previous cleaning.

Multiple hopper combinations

The MINIBLEND V can be adapted to the needs of your specific application, with three different additive supply hopper volumes (6l/7.5l/10l), in either glass or electro-polished stainless steel, and the option of either manual or hopper loader filling.



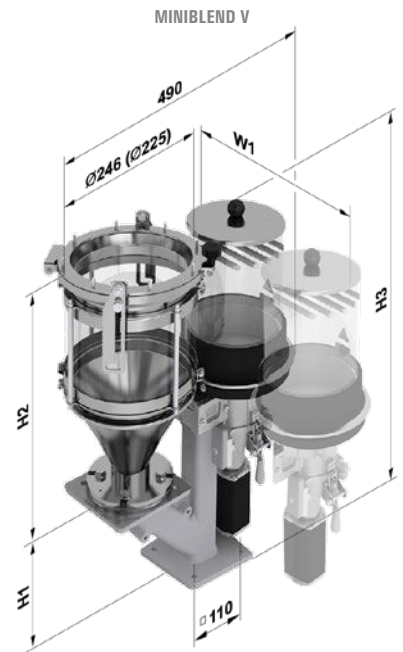
MINIBLEND V

VOLUMETRIC ADDITIVE DOSING UNIT

Technical data		
Type	VOLU MC	VOLUnet MC
Recipe management	-	•
Process documentation (throughput acquisition etc.)	-	•
Can be networked (Ethernet)	-	•
Touch panel - user interface	-	•
Automatic adaption of dosing time	-	•



Technical data			
Type	MINIBLEND V - 1 dosing module		
Number of dosing units	1		
Capacity of supply hopper (l)	6	7.5	10.5
Capacity of supply hopper main component (l)	2 or 6		
Dimensions (mm)			
H1 cast/stainless steel	219/227		
H2 2l/6l	190/375		
H3 DD/DP - (DT)	632 (575)	704 (674)	822 (765)
W1	246		
Connection voltage for dosing unit (V DC)	24		
Connected power rating per dosing unit (W)	65		
Weight - with one dosing unit, without controller (kg)	17-25		
Colour RAL	7040 or electro-polished stainless steel		



Technical data			
Type	MINIBLEND V - 2 dosing module		
Number of dosing units	2		
Capacity of supply hopper (l)	6	7.5	10.5
Capacity of supply hopper main component (l)	2 or 6		
Dimensions (mm)			
H1	320		
H2 2l/6l	190/375		
H3 DD/DP - (DT)	692 (635)	764 (734)	882 (825)
W1	551		
Connection voltage for dosing unit (V DC)	24		
Connected power rating per dosing unit (W)	65		
Weight - with one dosing unit, without controller (kg)	32-38		
Colour	electro-polished stainless steel		

All dimensions in mm. Subject to technical changes.

YOUR BENEFITS

- Vertical additive dosing
 - greater accuracy as no material hang-up or bridging
- Synchronous dosing
 - better quality of end product and save money because no over dosing of expensive materials
- Granule cutter
 - dosing accuracy even for small dosing quantities
- Disc dosing
 - very high dosing accuracy - even for small dosing quantities
- Dosing motor
 - greater reliability as maintenance-free
- Simple calibration
 - quick and easy with no material spillage
- Quick material changeovers
 - higher efficiency as more time spent in production
- Multiple hopper combinations
 - better fit to your application
- VOLU MC control
 - Cost effective solution for volumetric colouring with masterbatch
- VOLUnet MC control
 - Control can be integrated in the motan CONTROLnet through a common operating platform
 - Standard network interface (Ethernet)

To find your local partner, please visit our website.

